

Type RS mechanical sailboat autopilot drive

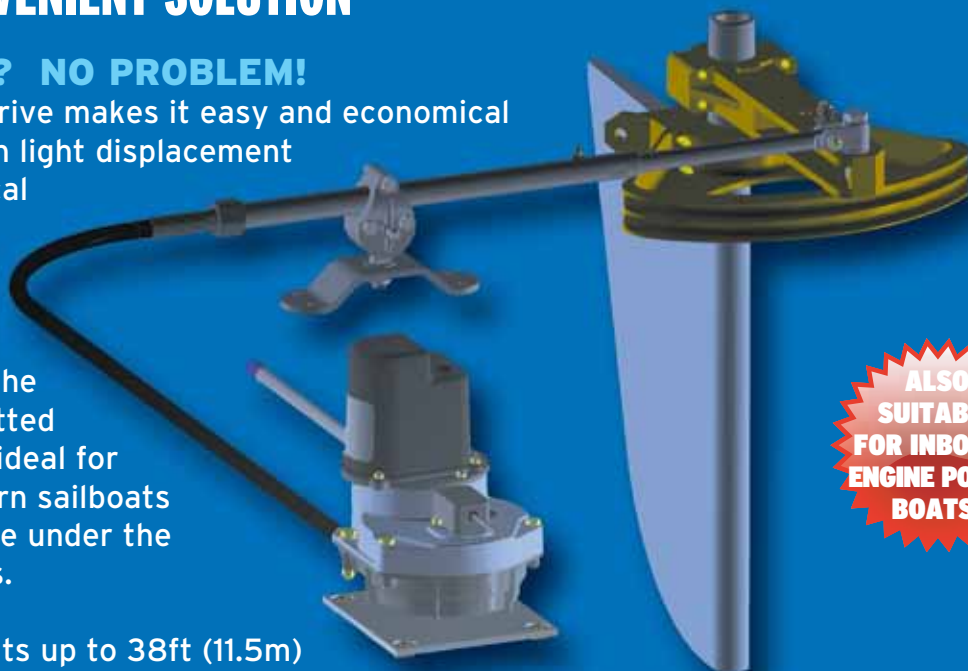


COMPACT AND CONVENIENT SOLUTION

SHORT ON SPACE? NO PROBLEM!

The Type RS Sailboat Drive makes it easy and economical to install an autopilot on light displacement sailboats with mechanical steering. The drive is very responsive and has little feedback resistance when in 'Standby' Pilot mode. The connection kit can be fitted into very small spaces, ideal for small to mid-sized modern sailboats which have limited space under the cockpit to fit drive units.

Recommended for Yachts up to 38ft (11.5m)
maximum displacement 15400 lbs / 7000 kg.



**ALSO
SUITABLE
FOR INBOARD
ENGINE POWER
BOATS!**



small... but powerful



Type RS mechanical sailboat autopilot drive



INNOVATIVE PILOT DRIVE FOR SAILBOATS WITH MECHANICAL STEERING

EASY TO BUY

Everything you need supplied in one box - drive, 6ft steering cable and universal connection kit.

EASY TO FIT

The simple to mount installation kit and optional integrated rudder feedback make for easy fitting.

COMPACT

The remote drive unit has a tiny 0.25Ft² footprint and can be mounted in the most convenient location on your boat, horizontally or vertically.

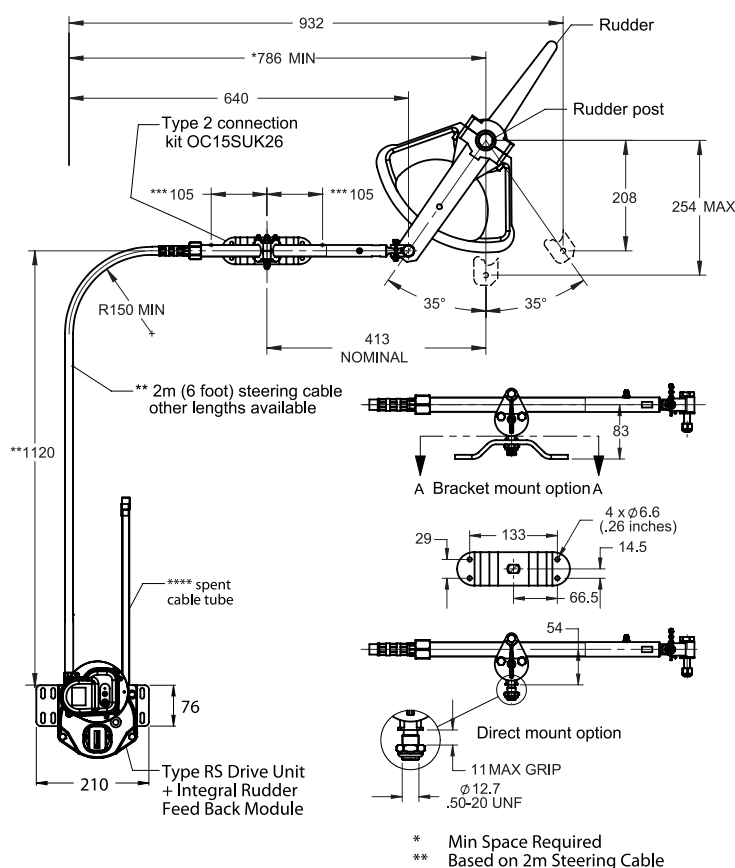
RELIABLE & SAFE

Proven, tested design. The drive unit features a manual override without having to disengage the autopilot first.

COMPATIBLE WITH YOUR PILOT

The Type RS Remote Drive System is compatible with all major brand inboard autopilot systems.

INSTALLATION ENVELOPE



SPECIFICATION

ORDER CODE	MDRS-SYS
MAXIMUM STROKE	305mm / 12in
PEAK THRUST	180kg / 400lbs
MAX RUDDER TORQUE	450nm / 333 lbft
HARD OVER TIME	12-15 seconds
PEAK POWER	7 Amps
AVERAGE POWER	2.5 Amps
TILLER ARM RADIUS	254mm / 10in
MAX DISPLACEMENT (FULLY LADEN)	7000kg / 15,400lbs
MAX BOAT LENGTH	11.5m / 38ft
VOLTAGE	12v DC
CLUTCH CIRCUIT POWER	850mA

ACCESSORIES



OC15SUK26 Universal Connection Kit - 12in stroke (included in kit)



OC15211-4 Sailboat Steering Cable x 4ft, 12in stroke
OC15211-6 Sailboat Steering Cable x 6ft, 12in stroke
OC15211-9 Sailboat Steering Cable x 9ft, 12in stroke

OPTIONAL RUDDER FEEDBACK UNIT

One of the most complex and time-consuming aspects of autopilot installation is fitting the rudder feedback unit, ensuring that the geometry matches the full range of rudder movement. The Octopus rudder feedback unit solves these problems as it mounts directly to the drive unit itself.



RUDDER FEEDBACK MODULES

OC15SUK27 Universal Model for all autopilots



OC15SUK27A For Comnav & Sitex Autopilots



OC15SUK27B For Raymarine Autopilots



OC15SUK27D For Coursemaster & Simrad Autopilots



OC15SUK27E For Garmin, Furuno, Navman & TMQ Autopilots



OC15SUK83 Simrad Resistance to Frequency Conversion Kit - Required for Simrad Autopilots